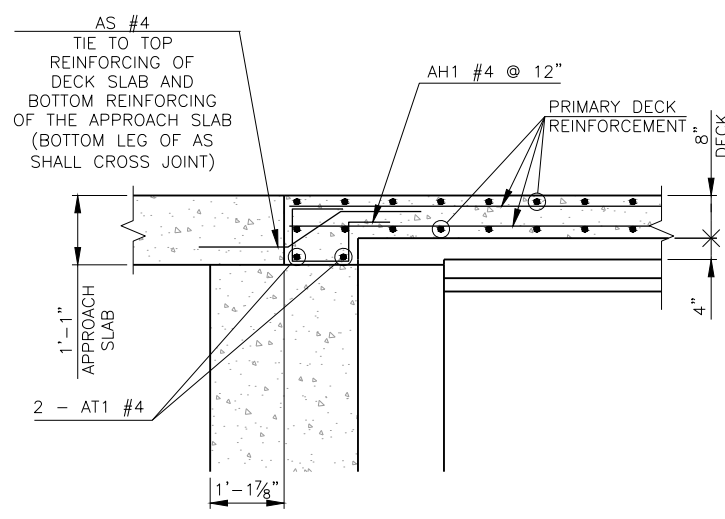
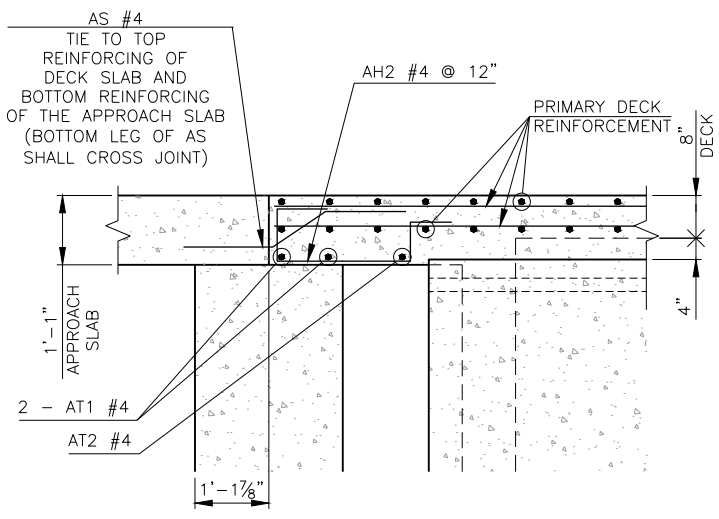


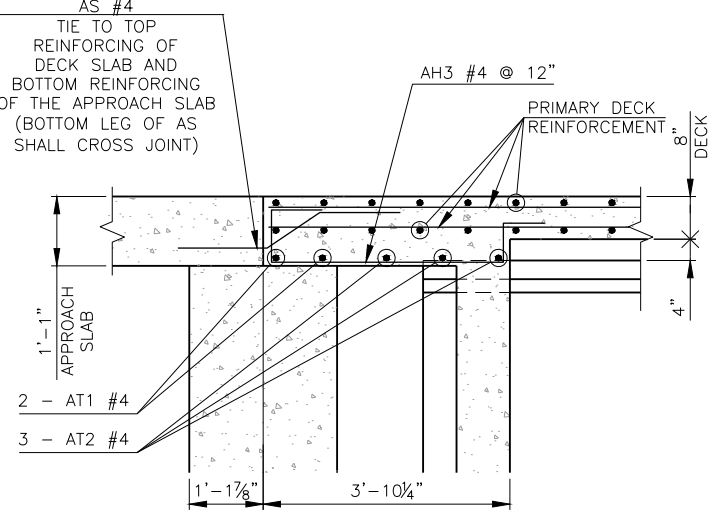
DESCRIPTION	REVISIONS	DATE



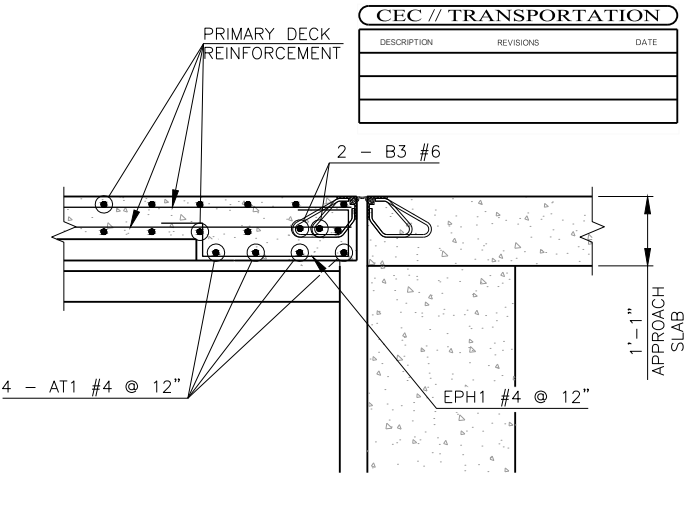
SECTION A



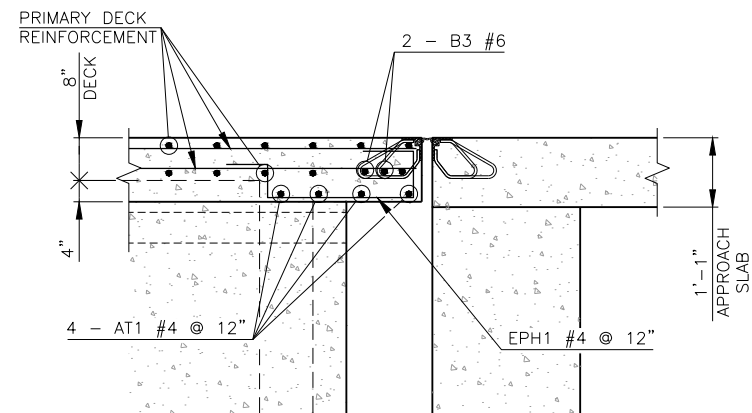
SECTION B



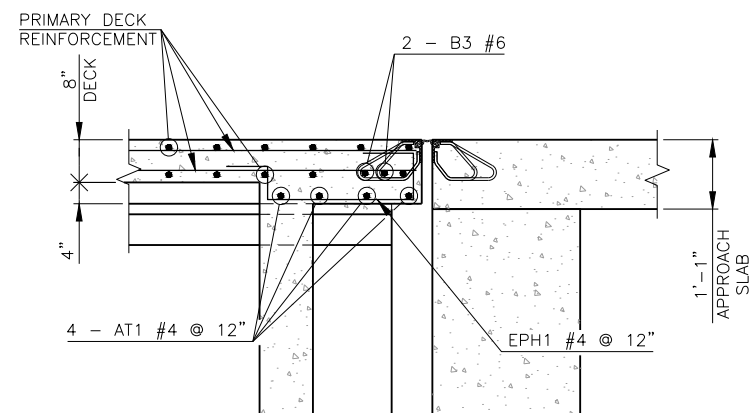
SECTION C



SECTION D

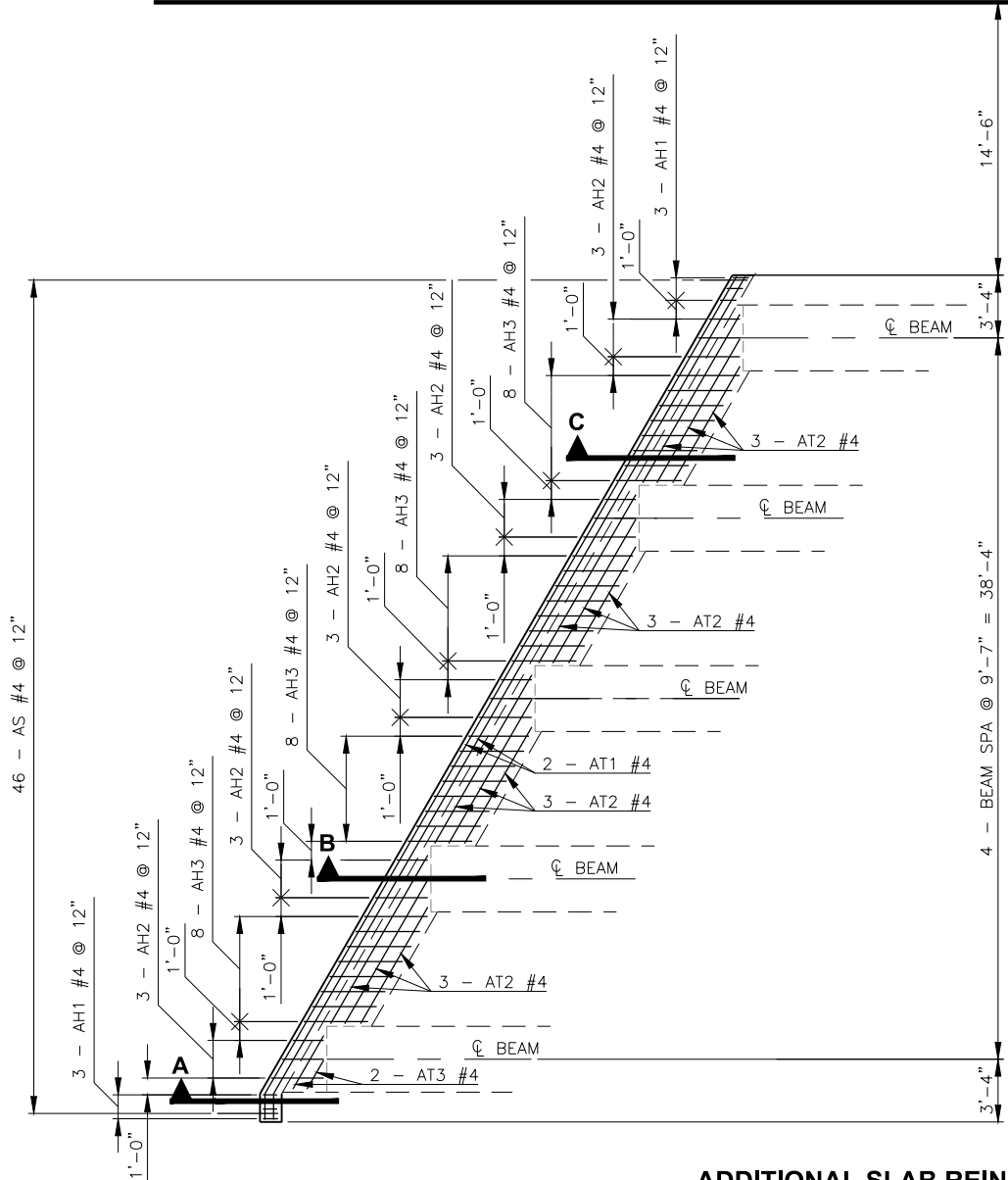


SECTION E

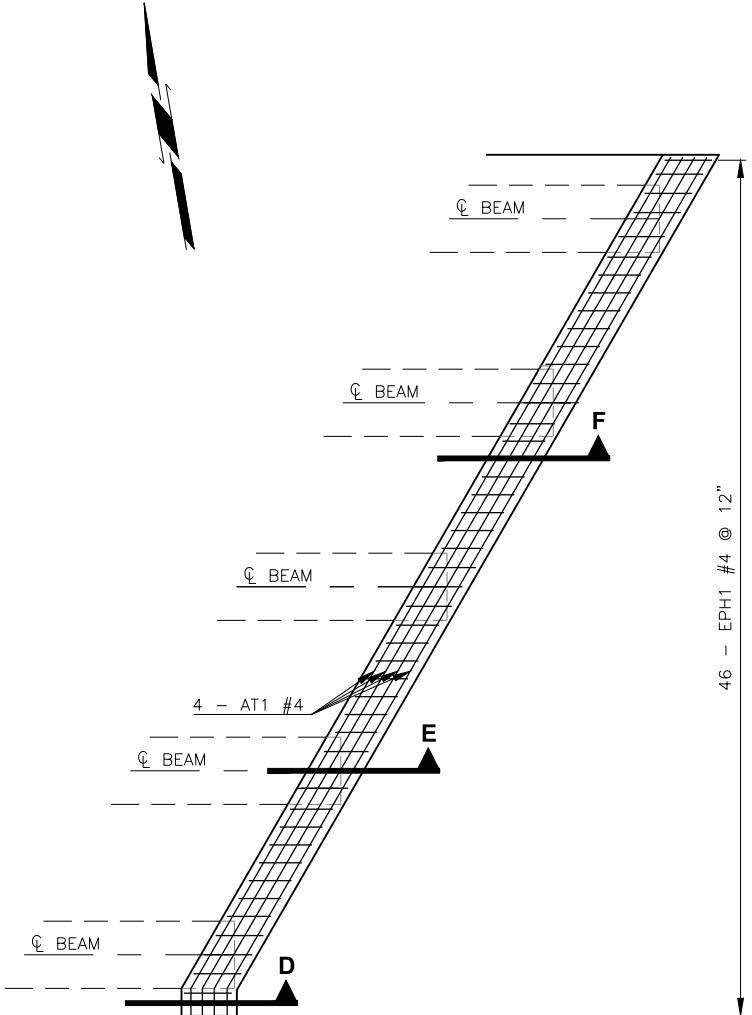


SECTION F

C.R.L. & P.G.L. OKLAHOMA CITY BOULEVARD  
S 80°17'4.66" E



ADDITIONAL SLAB REINFORCING PLAN



NOTE:  
DECK SLAB REINFORCING  
NOT SHOWN FOR CLARITY.

DESIGN	T.A.C.	OKLAHOMA CITY BLVD.	OKLAHOMA COUNTY
DRAWN	R.A.P.	OVER CLASSEN BLVD.	BRIDGE A
CHECKED	T.A.C.	<b>ADDITIONAL SLAB REINFORCING</b>	
APPROV.	T.A.C.		
SQUAD	CEC	JOB PIECE NO. 17428(88)	SHEET NO. 100